

A WOMAN'S STRONG FAITH GETS RESULTS

[Near the cities of Tyre and Sidon] — Jesus was busy helping people who were sick. Jewish people came to him from everywhere. He told them that he was the messenger from God they had been waiting for.

Some Jews didn't believe Jesus was God's special messenger. But a lot of people did. People who trusted Jesus and asked for help received amazing cures from Jesus. Sometimes blind people could see again. Sometimes people with skin diseases got brand new skin. Sometimes crippled people could walk again. Jesus made it possible.

But people who were not Jews didn't get help from Jesus. They thought Jesus only came to help the Jews. One woman, who was not a Jew, didn't let that stop her. She wanted help for her child so badly that she came and begged Jesus to help. Jesus' disciples said, "She's not a Jew. Send her away." But the woman trusted Jesus and his power so much, Jesus finally gave her the healing that she asked for. She was overjoyed.

Matthew 15:21-28

A50

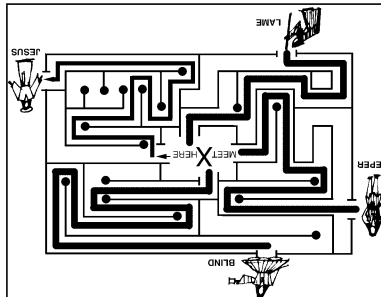
GOSPEL GRAMS



SUNDAY ACTIVITIES FOR CHILDREN

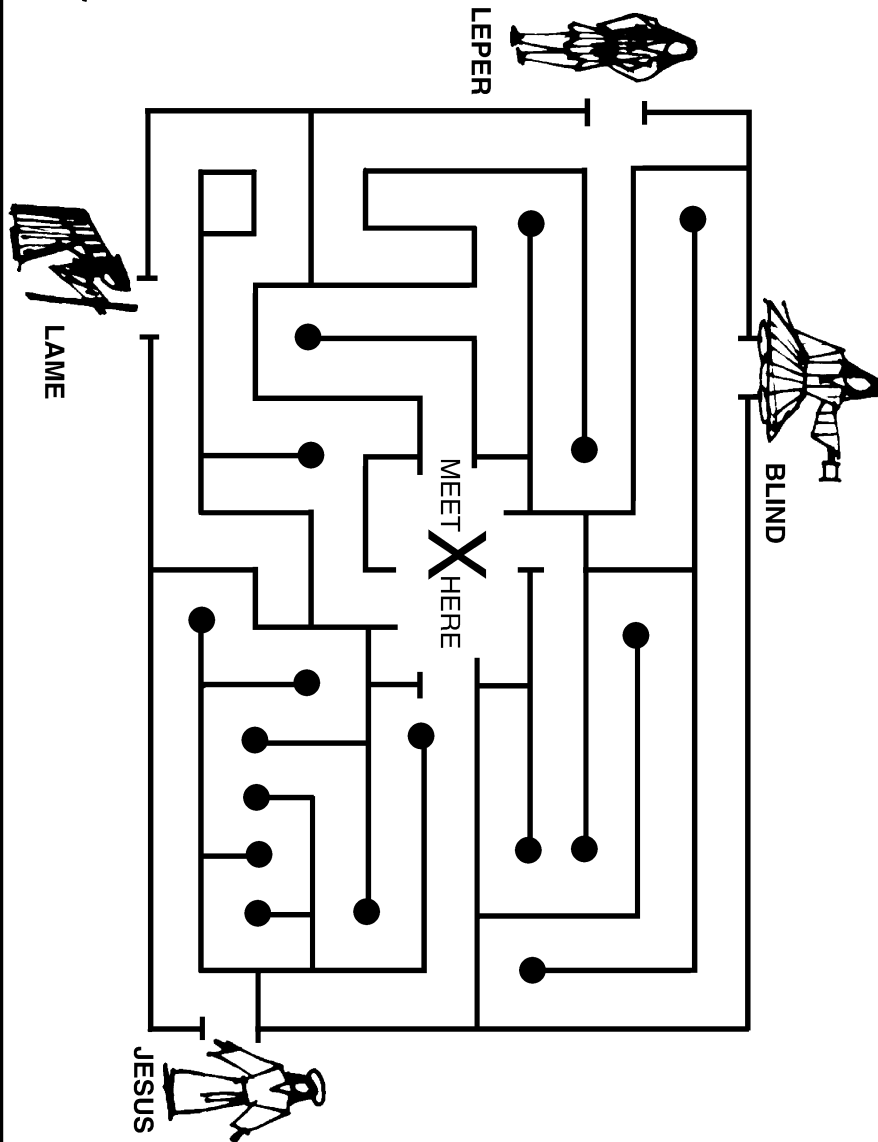


- MISSING WORDS:**
1. People came from **EVERYWHERE** to see Jesus.
 2. Jesus was God's **SPECIAL** messenger.
 3. Some **JEW**s didn't believe in him.
 4. The **TRUSTED** Jesus to help them.
 5. Jesus healed people with **SKIN** diseases.
 6. Jesus made crippled people **WALK** again.
 7. He helped the blind to **SEE** again.
 8. People who need help went to **JESUS**.
 9. Even a **WOMAN** who wasn't a Jew got help.
 10. The disciples said one woman, "She's not a Jew, so send her **AWAY**."



ANSWERS

Follow The Paths. Today's Gospel story is about a little girl whom Jesus healed. People came from everywhere to receive Jesus' healing power. Help the three people pictured below find their way to the meeting place in the middle. Then help them travel the last part of the path together, to get some help from Jesus.



Missing Words. Use today's Gospel story to help you finish the sentences. Use the words in the Word List.

WORD LIST: SEE WALK SKIN
 EVERYWHERE AWAY TRUSTED
 JESUS WOMAN JEWS
 SPECIAL

1. People came from _____ to see Jesus.
2. Jesus was God's _____ messenger.
3. Some _____ didn't believe in him.
4. They _____ Jesus to help them.
5. Jesus healed people with _____ diseases.
6. Jesus made crippled people _____ again.
7. He helped the blind to _____ again.
8. People who needed help went to _____.
9. Even a _____ who wasn't a Jew got help.
10. The disciples said of one woman, "She's not a Jew, so send her _____."